

XV TRANSVERTER OWNER'S MANUAL ERRATA

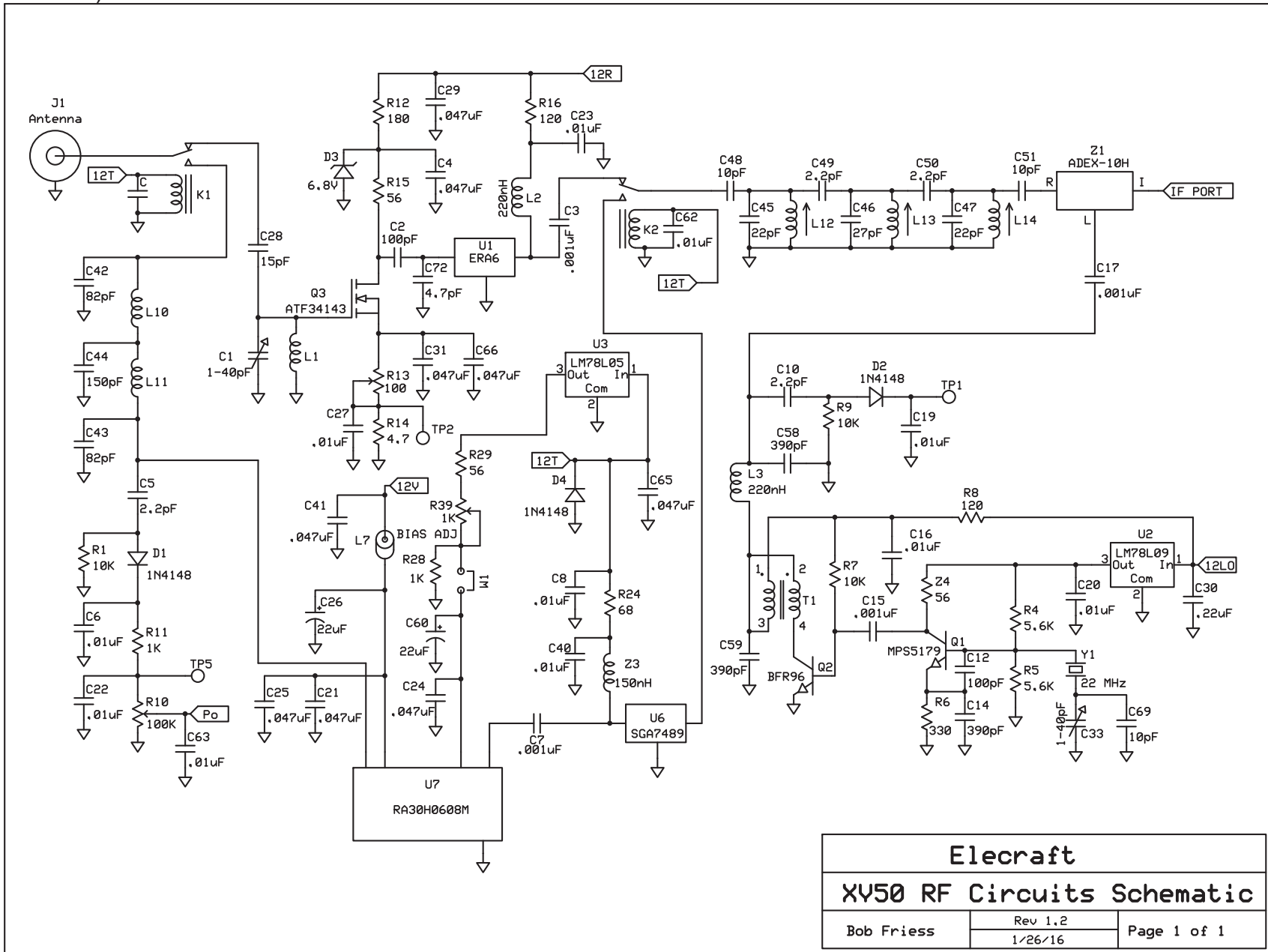
Rev. F1-1, January 26, 2016

E740096E

**MAKE THE FOLLOWING CHANGES TO YOUR REV F1
MANUAL**

1. **Appendix A, Page A-6:** Replace the page with page 2 of this errata. The updated schematic includes Resistor R7 that was missing from the earlier version.

XV50 R.F. Circuits Schematic
(R.F. Board)



Elecraft		
XV50 RF Circuits Schematic		
Bob Friess	Rev 1.2 1/26/16	Page 1 of 1